



# SolarEdge Single Phase StorEdge Inverter for Australia

SE5000-AUS / SE6000-AUS



STOREDGE™

## Ideal for battery storage and backup power

- **Supports StorEdge Solution Applications** - reduce electric bills with maximised self-consumption and profile programming
- **Provides Backup Power** - StorEdge Inverter includes the hardware required for automatically supplying power to backed-up loads in the event of grid outages
- **Simple Design and Installation** - single inverter for managing PV production, battery storage and backup power
- **Enhanced Safety** - designed to eliminate high voltage during installation, maintenance or firefighting
- **Full Visibility** - built-in monitoring of battery status, PV production, remaining backup power, and self-consumption data
- **Easy Maintenance** - remote access to inverter software



# SolarEdge Single Phase StorEdge Inverter for Australia SE5000-AUS / SE6000-AUS

	SE5000-AUS	SE6000-AUS	
<b>OUTPUT - AC (LOADS/GRID)</b>			
Rated AC Power Output	4985	6000	VA
Max AC Power Output	4985	6000	VA
AC Output Voltage (Nominal)	220 / 230		Vac
AC Output Voltage Range	184 - 264.5		Vac
AC Frequency	50 / 60 ± 5		Hz
Maximum Continuous Output Current	27		A
Residual Current Detector / Residual Current Step Detector	300 / 30		mA
Utility Monitoring, Islanding Protection, Country Configurable Thresholds	Yes		
Charge Battery from AC (if Allowed)	Yes		
THD	<5		%
Power factor with rated power	>0.99 (configurable; 0.9 leading to 0.9 lagging)		
Typical Nighttime Power Consumption	<5		W
<b>OUTPUT - AC (BACKUP POWER)<sup>(1)</sup></b>			
Rated AC Power Output	4985 <sup>(2)</sup>		VA
Max AC Power Output - Surge	7300		VA
AC Output Voltage (Nominal)	220 / 230		Vac
AC Output Voltage Range	184 - 264.5		Vac
AC Frequency	50 / 60 ± 5		Hz
Maximum Continuous Output Current	22		A
AC Breaker	Yes		
THD	<3		%
Power factor with rated power	0.2 leading to 0.2 lagging		
Automatic switchover time	<2		sec
Typical Nighttime Power Consumption	<5		W
<b>INPUT - DC (PV and BATTERY)</b>			
Transformer-less, Ungrounded	Yes		
Max Input Voltage	500		Vdc
Nom DC Input Voltage	400		Vdc
Reverse-Polarity Protection	Yes		
Ground-Fault Isolation Detection	600kΩ Sensitivity		
Maximum Inverter Efficiency	97.6		%
European Weighted Efficiency	97.4		%
<b>INPUT - DC (PV)</b>			
Maximum DC Power (STC)	6750	8100	W
Max Input Current <sup>(4)</sup>	19.5	23	Adc
2-pole Disconnection	Yes		
<b>INPUT - DC (BATTERY)</b>			
Continuous Peak Power	3300		W
Number of Batteries per Inverter <sup>(3)</sup>	Up to 2, for double capacity		
Max Input Current	8.5		Adc
2-pole Disconnection	Yes		
DC Fuses on Plus and Minus	12A (field replaceable)		
<b>ADDITIONAL FEATURES</b>			
Supported Communication Interfaces	RS485 for battery, RS485, Ethernet, ZigBee (optional), Wi-Fi (optional)		
Battery Power Supply	Yes, 12V / 53W		
Integrated AC, DC and Communication Connection Unit	Yes		
AC Disconnect	Yes		
Manual Inverter Bypass Switch	Yes		
DC Voltage Rapid Shutdown (PV and Battery)	Yes, according to VDE 2100-712 (pending)		

<sup>(1)</sup> Not designed for standalone applications and requires AC for commissioning

<sup>(2)</sup> The rated AC power output is the minimum between 4985VA and the battery continuous peak power

<sup>(3)</sup> For two batteries for double power contact SolarEdge technical support



# SolarEdge Single Phase StorEdge Inverter for Australia SE5000-AUS / SE6000-AUS

STANDARD COMPLIANCE (PENDING)		
Safety	IEC-62103 (EN50178), IEC-62109	
Grid Connection Standards <sup>(4)</sup>	VDE 0126-1-1, NRS 097-2-1, AS4777	
Emissions	IEC61000-6-2, IEC61000-6-3, IEC61000-3-11, IEC61000-3-12	
INSTALLATION SPECIFICATIONS		
AC Output (Loads/Grid) gland cable diameter / wire cross section	9-16mm / 2-14mm <sup>2</sup>	
AC Output (Backup) gland cable diameter / wire cross section	9-16mm / 2-14mm <sup>2</sup>	
DC Input (PV)	2 MC4 pairs	
DC Input (Battery)	1 MC4 pair	
Dimensions with Connection Unit (HxWxD)	962 x 315 x 184	mm
Weight with Connection Unit	26.5	kg
Cooling	Natural convection and internal fan (user replaceable)	
Noise	<50	dB(A)
Min - Max Operating Temperature	-20 to +60 <sup>(5)</sup>	
Protection Rating	IP65 - Outdoor and Indoor	

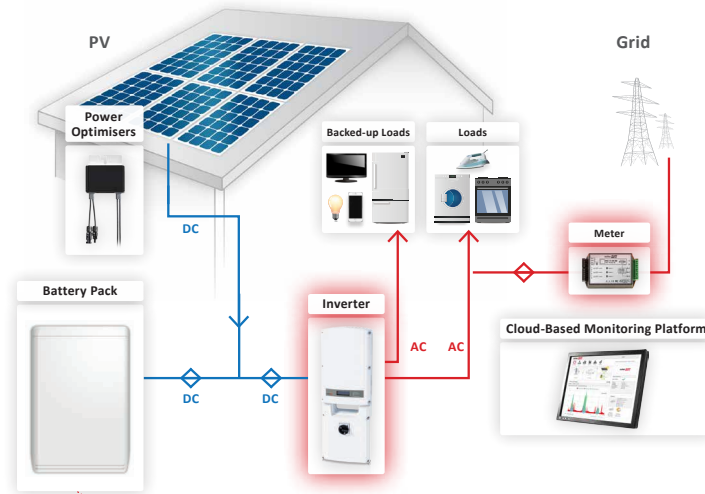
<sup>(4)</sup> For all standards refer to Certifications category in Downloads page: <http://www.solaredge.com/groups/support/downloads>

<sup>(5)</sup> Power derating from 50 °C



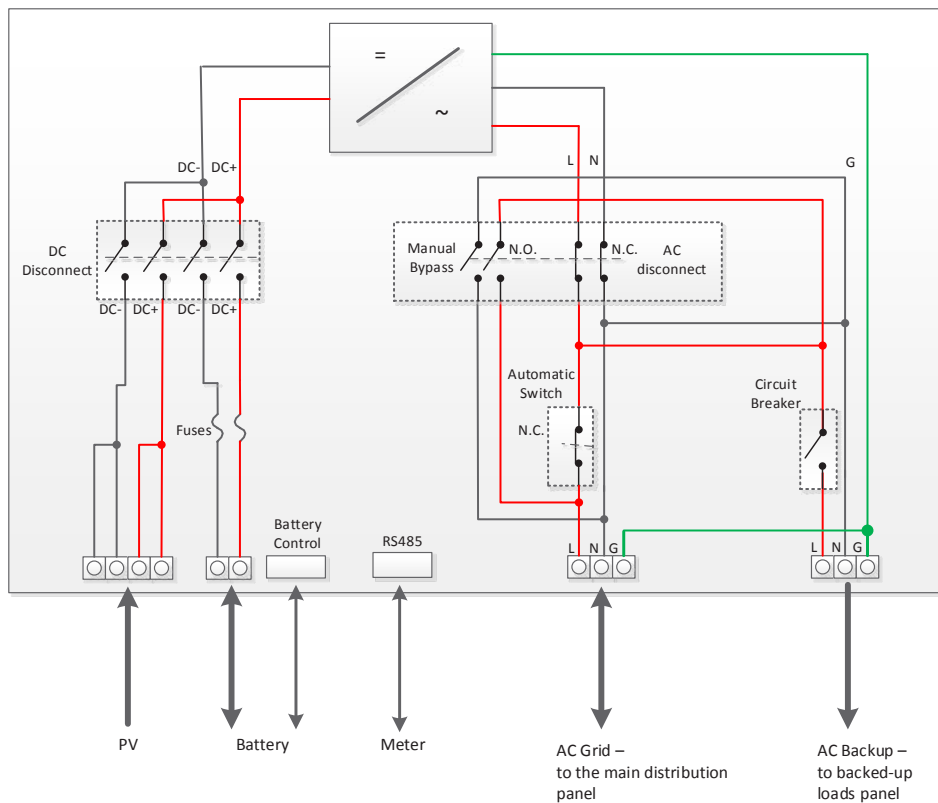
# SolarEdge Single Phase StorEdge Inverter for Australia SE5000-AUS / SE6000-AUS

## StorEdge Solution with Backup Power



**Supported batteries**  
**POWERWALL** TESLA HOME BATTERY | **RESU** | **LG Chem\***

\* LG Chem RESU battery will be supported with a different StorEdge Inverter, contact SolarEdge for details



© SolarEdge Technologies, Inc. All rights reserved. SOLAREEDGE, the SolarEdge logo, OPTIMIZED BY SOLAREEDGE are trademarks or registered trademarks of SolarEdge Technologies, Inc. All other trademarks mentioned herein are trademarks of their respective owners. Date: 06/2016. V.02. Subject to change without notice.



DMS Energy  
 56 Sheffield Main Rd  
 Spreyton

ECL 1273739

1300 502 599

email- info@dmsolutions.net.au

www.dmsenergy.net.au